

5M Hybrid DVR



HD



H.265



DDNS



Network



PTZ



Audio



MIC



Mobile



CMS



USB



Mouse



E-mail

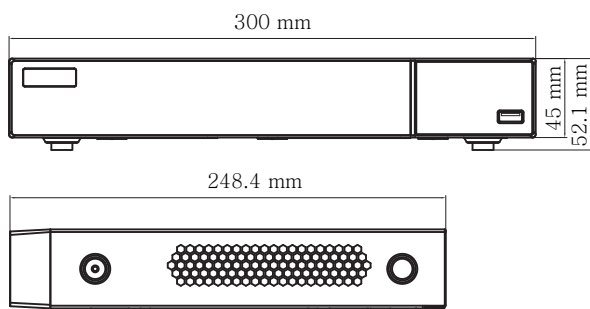
Characteristics

- 4 / 8 CH TVI / AHD video input, support 8MP / 5MP / 4MP / 3MP / 1080P / 720P / WD1
- 4 / 8 CH CVI video input, support 4MP / 3MP / 1080P / 720P / WD1
- 4 / 8 CH DVR default support 2 / 8 CH IPC 8MP / 5MP / 4MP / 3MP / 1080P / 960P / 720P
- Adopt standard H.265 high profile compression format to get high-quality video at much lower bit rate
- Intuitive and user-friendly Graphics User Interface (GUI), window style operation by mouse
- Multi-mode recording: manual / timer / motion
- Playback : 4 / 8 CH simultaneously playback
- Search: time slice, time, event (manual, motion), tag search
- Express and flexible backup via USB, network and so on
- Pentaplex: preview, record, playback, backup and remote access
- DHCP, DDNS, PPPoE network protocol, IE browse and CMS supported
- Remote control via IE or CMS : preview, playback, backup, PTZ and configuration
- Dual stream technology for local storage with high definition, remote network transmission and remote surveillance with mobile device
- Multi-user online simultaneously
- Authorization management, log review and device status review
- HDMI 4K output, true high resolution display
- Support PTZ preset and auto cruise, up to 255 presets and 8 cruises
- Support NAT function and QRCode scanning by mobile phone and PAD
- Powerful smart phone & Pad surveillance with iOS and Android OS

Specification

Model		DVR-HP2704TS	DVR-HP2708TS
System	Compression	Standard H.265 High Profile	
	CPU	Cortex A9	
	OS	Embedded Linux	
Video	Input	BNC × 4	BNC × 8
	Resolution	TVI/AHD : 8MP/5MP/4MP/3MP/1080P/720P/WD1 CVI : 4MP/3MP/1080P/720P/WD1	
	IP Input	2CH (Up to 6CH)	8CH (Up to 16CH)
	Output	HDMI × 1 : 3840 × 2160 / 1920 × 1080 / 1280 × 1024 / 1024 × 768 VGA × 1 : 1920 × 1080 / 1280 × 1024 / 1024 × 768 BNC × 1 : CVBS (used as the main or spot output)	
Audio	Input	RCA × 4	
	Output	RCA × 1	
	Two-way audio	Take up channel one audio input	
Record	Resolution	4K/4K Lite/5MP/5MP Lite/4MP/4MP Lite / 1080P/720P/WD1	
	Frame Rate	4K@6/7fps(PAL/NTSC) 4K Lite@12fps/15fps(PAL/NTSC) 5MP@12fps (PAL / NTSC) 5MP Lite@20fps (PAL / NTSC) 4MP@12fps(PAL) / 15fps (NTSC) 4MP Lite/1080P/720P/WD1@25fps (PAL) / 30fps (NTSC)	
	Bit Rate	32Kbps ~ 4Mbps	32Kbps ~ 5Mbps
	Mode	Manual, timer, motion	
	IP Input	Resolution	8MP / 5MP / 4MP / 3MP / 1080P / 960P / 720P
	Frame Rate	25fps (PAL) / 30fps (NTSC)	
Play back	Playback	4 CH	8 CH
	Search	Time slice / time / event / tag search	
	Smart Search	Highlight colors to display the camera record in a certain period of time, different colors refer to different record events	
	Function	Play, pause, FF, FB, digital zoom, etc.	
Alarm	Mode	Manual, motion, exception	
	Input	4 CH	No
	Output	1 CH	No
	Triggering	Record, snap, preset, e-mail, etc.	
Network	Interface	RJ45 100Mbps × 1	RJ 45 1000Mbps × 1
	Protocol	TCP / IP, PPPoE, DHCP, DNS, DDNS, UPnP, NTP, SMTP	
	Bandwidth	40/40Mbps (access/transfer)	80/96Mbps (access/transfer)
Mobile Device	OS	iOS, Android	
Storage	HDD	SATA × 1, up to 8TB E-SATA × 1	SATA × 1, up to 8TB
	Backup	Local Backup	U disk, USB removable HDD
	Network Backup	Yes	
Port	RS485	RS485 × 1, connect to PTZ or keyboard	
	USB	USB 2.0 × 2	
	Remote Controller	Optional	
Others	Power Supply	DC12V	
	Consumption	≤ 10W (without HDD)	≤ 15W (without HDD)
	Dimensions	300 × 248 × 52 mm (W × D × H)	
	Work Environment	-10 ~ 50 °C , 10% ~ 90% humidity	

Dimensions



Rear Panels

