

SPECIFICATION:

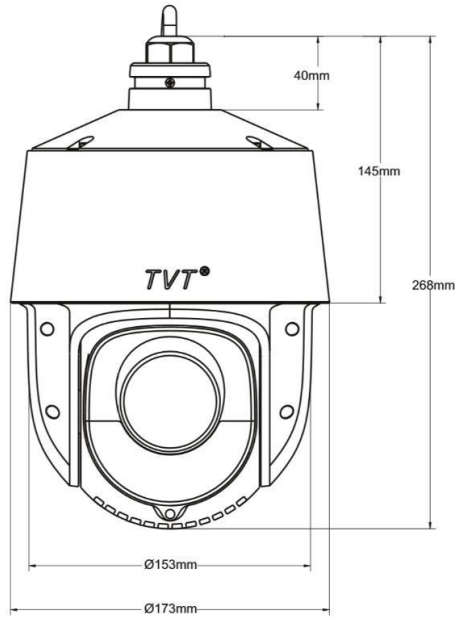
Camera Module					
Image sensor	1/2.8"SONY latest progressive scan CMOS				
Max resolution	3840x2160				
Mini. Illumination	Color: 0.01Lux @ (F1.65, AGC ON); B/W: 0.002Lux @(F1.65, AGC ON);0Lux with IR				
Image setting	Flip, Mirror, Saturation, Brightness, Contrast, Sharpness, AGC, etc. adjusted by client				
Shutter Speed	50Hz: 1/25 s~1/25,000s, 60Hz: 1/30s~1/30,000s				
White Balance	Auto/Manual/Indoor/Outdoor				
Gain control	Auto/Manual				
Day & Night control	Auto/Manual ,time schedule				
Iris control	Auto/Manual				
SNR	≥52dB				
3D DNR	Auto/Manual				
AE Enhancement	BLC, HLC, WDR				
Privacy Mask	4 areas, up to 8 mask per request				
Picture overlay	Logo picture could be overlaid on video with 128x128pixels,24bits BMP format				
OSD overlay	max 15 characters/line, 8 lines, white or red font color				
Lens					
Focus length	f=4.8-120mm lens,25x optical zoom				
Zoom Speed	Approx. 3.6s (optical zoom, wide-tele)				
Field of View	Horizontal: 57.6 °~2.4 °; Vertical: 33.4 °~ 1.4 °; Diagonal: 64.5 °~ 2.9 °(wide-tele) ±5%				
Working distance	wide: 1.0m ~ INF; tele: 1.5m ~ INF				
Iris Range	F1.65 ~ F3.8 (wide-tele)				
IRCut type	Removable IRCUT filter				
DORI distance	Focus length	detect(25px/m)	Observe(63px/m)	Recognize(125px/m)	Identify(250px/m)
	f=4.8mm	138.2m	54.84m	27.64m	13.82m
	f=120mm	3310m	1313.5m	662m	331m
PTZ					
Pan Range	360 °endless				
Pan speed	Configurable, from 0.1~200 %s; Preset speed: 240 %s				
Tilt Range	From -10 °to 90 °,auto flip				
Tilt Speed	Configurable, from 0.1 ~ 200 %s, Preset speed: 240 %s				
Proportional Zoom	Yes				
Preset	360				
Cruise	8 cruises, up to 16 presets for each cruises				
Trace	4 traces, record time over 3 minutes for each trace				
Power off memory	Support				
Action mode	Preset/Cruise/Trace/Auto Scan/Random Scan				
3D Positioning	Support				
PTZ Position Display	Support				
Schedule Task	Preset/Cruise/Trace/Random Scan/Boundary Scanning /Dome reboot				
IR					
IR Distance	150m (492 f.t.) ,dual stack IR LED array, 6pcs into 3groups				
Smart IR	Yes				
Network					
Main stream	50Hz: 3840 × 2160,2560 × 1440,1920 × 1080,1280 × 960,1280 × 720, @25fps 60Hz: 30fps:3840 × 2160,2560 × 1440,1920 × 1080,1280 × 960,1280 × 720, @30fps				
Sub stream	50Hz: (704 × 576, 640 × 480, 352 × 288) @25fps 60Hz: (704 × 480, 640 × 480, 352 × 240) @30fps				
Third Stream	50Hz:(1920 × 1080, 1280 × 960, 1280 × 720, 704 × 576, 640 × 480, 352 × 288) @25fps 60Hz:(1920 × 1080, 1280 × 960, 1280 × 720, 704 × 480, 640 × 480, 352 × 240) @30fps				
Video compression	H.265+/H.265/H.264+/H.264/MJPEG				

H.264 Standard	H.264/AVC codec BP/MP/HP, Level 5.1
H.265 Standard	H.265/HEVC codec MP, level 5.0
Video Bit Rate	64 Kbps to 16Mbps
Audio compression	G.711 A/U
Audio Bit Rate	64K bps
Protocols	HTTP, HTTPS, IPv4/IPv6, 802.1x, QoS, FTP, SMTP, UPnP, SNMP,DNS, DDNS, NTP, RTSP, RTCP, RTP, TCP/IP, UDP, DHCP, PPPoE
User / Host	Up to 16 users, 3 levels: Administrator, Advanced User and Normal User
Security Measures	User authentication (ID and PW), Host authentication (MAC address); HTTPS encryption, IEEE802.1x port-based network access control; IP address filtering
Smart Features	
Basic event	Motion detection, Video tampering alarm, Exception(Network disconnected, IP address conflict, SD full, SD error)
Face recognize	Ver5.0.1:Detecting max 15-17 faces at same scene. Detecting, recognition, Ver5.1.1:and comparing, max 20Kpcs face ID storage
Road traffic	Vehicle detecting and tracking
Smart Detection	Tripwire, Bi-directional tripwire, Illegal intrusion detection, Region entrance detection, Region exiting detection, etc. More VCA per request.
Smart Tracking	smart tracking of human or vehicle, auto/manual
System Integration	
Alarm Interface	1 Alarm input(Dry contact); 1 Alarm output
Audio Interface	1 audio input(MIC in); 1 audio output, line level, impedance,600Ω
Alarm Linkage	Alarm actions, such as Preset, Cruise, Track, Memory Card Video Record, Trigger Recording, Notify Surveillance Center, Upload to FTP/Memory Card, Send Email, etc.
Network Interface	1 RJ45 10M/100M Adaptive Ethernet ,Support PoE+
SD Card Slot	One Micro SD slot, up to 256G
RS 485	N/A
BNC	N/A
Speaker	N/A
Reset button	Yes
Heater	Yes
Fan	Yes
Water removal	Remove water-drops by quick spinning
API	ONVIF, support TVT SDK and third-party management platform
Client	TVT N9000 1.4.5, TVT NVMS 2.0; and the third-party client, free iOS/Android APP
Web Browser	IE8-11
General	
Languages	Czech; English, German ; Hungarian ; Italian ; Japanese ; Korean ; Portuguese, Polish; Russian, Romanian, Spanish; Spanish(Mexico); Simplified Chinese; Turkish; Traditional Chinese.
Power Supply	DC12V ±25%,3000mA , PoE+ (802.3.at,class 3), max 24W include IR ON+PTZ working
Working condition	-40 °C ~ 60 °C (-40 °F ~ 140 °F), Cold start at - 30 °C(0.5Hour waiting); 90%RH
Storage condition	-40 °C ~ 70°C ; ≤ 95% RH
Protection	IP66, 6000V Lightning Protection, Surge Protection and Voltage Transient Protection
Material	Aluminum Alloy + Polymer (Plastic with glass fiber 15%)
Dimensions	Φ 173mm × 268mm (6.8 inch Φ × 10.55 inch)
Weight	Approx. 2.1 Kg (4.63 lb.)
Certification	IP66,IK10(excluding glass window),ROHS,CE,FC

IPC8-SP25X

AI PTZ

Dimensions:



8MP



H.265



VCA



Smart tracking



Perimeter



PoE+



IP66



150m



Key Spec:

- 1/2.8" SONY progressive scan CMOS
- Up to 3840x2160 resolution
- Mini illumination:
 - Color: 0.01 lux @ (F1.65 AGC ON)
 - 0 Lux with IR
- 25x optical zoom, 16x digital zoom
- HDR, 3D DNR, Smart IR 150m
- Smart H.265/H.264+/H.264
- Intelligent Video content analytics
- Smart tracking of human/vehicle
- Smart detection and perimeter protection
- ONVIF, API and SDK
- PoE+ and DC12V
- IP66, -40 °C~60 °C, ADC12 & PC/GF